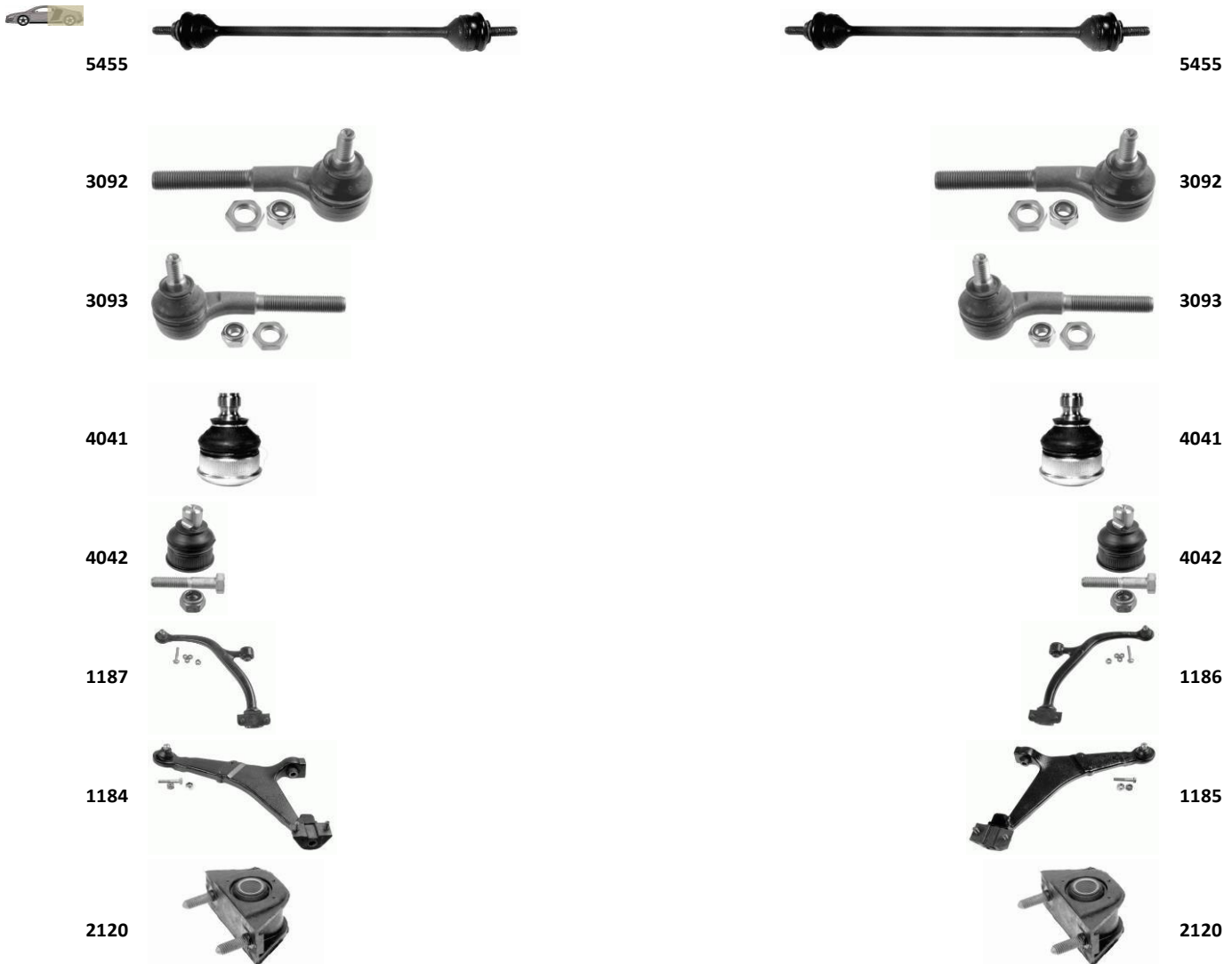


CITROËN

AX (ZA-)							07.1986 - 12.1998		
OEM	Info	F / R	Type			Type	F / R	Info	OEM
5087 33	Suspension Rod			5455	5455			Suspension Rod	5087 33
3817 41	with right-hand thread Thread Size: M14x1,5			3092	3092			with right-hand thread Thread Size: M14x1,5	3817 41
3817 31	with right-hand thread Outer Thread: M14x1,5 mm			3093	3093			with right-hand thread Outer Thread: M14x1,5 mm	3817 31
95 603 309				4041	4041				95 603 309
3640 36	with accessories			4042	4042			with accessories	3640 36
3520 92	Control Arm Steel			1187	1186			Control Arm Steel	3520 93
3520 78	Control Arm with rubber mounting with accessories Steel			1184	1185			Control Arm with rubber mounting with accessories Steel	3520 79
	Inner Diameter: 17 mm for OE No.: 3520 92, 3520 93			2120	2120			Inner Diameter: 17 mm for OE No.: 3520 92, 3520 93	



CITROËN

BERLINGO / BERLINGO Box										-8,2015
OEM	Info	F / R	Type			Type	F / R	Info	OEM	
3812 F4	Thread Size: M14x1,5 Length: 242 mm			6041	6041			Thread Size: M14x1,5 Length: 242 mm	3812 F4	
5087 50	Suspension Rod Length: 335 mm Steel with accessories			5102	5102			Suspension Rod Length: 335 mm Steel with accessories	5087 50	
3817.76				3094	3509				3817.75	
3640 60	with accessories			4043	4043			with accessories	3640 60	
3520 P3	Control Arm with rubber mounting Cast Steel			1188	1189			Control Arm with rubber mounting Cast Steel	3521 K3	
3523 91	Mounting Type: Rubber-metal Bearing for control arm			2121	2121			Mounting Type: Rubber-metal Bearing for control arm	3523 91	
3523 92	Mounting Type: Rubber-metal Bearing for control arm			2122	2122			Mounting Type: Rubber-metal Bearing for control arm	3523 92	



6041



6041



5102



5102



3094



3509



4043



4043



1188



1189



2121



2121



2122



2122



CITROËN

BERLINGO / BERLINGO Box (MF, M_) -7,1996									
OEM	Info	F / R	Type			Type	F / R	Info	OEM
3812 C0	with right-hand thread Thread Size: M14x1,5 with accessories			6042	6042			with right-hand thread Thread Size: M14x1,5 with accessories	3812 C0
5087 39	Suspension Rod with accessories Steel			5103	5103			Suspension Rod with accessories Steel	5087 39
3817 50	with accessories with right-hand thread Thread Size: M14x1,5			3510	3510			with accessories with right-hand thread Thread Size: M14x1,5	3817 50
3640 38	Cone Size: 16 mm with accessories			4044	4044			Cone Size: 16 mm with accessories	3640 38
3640 39	Cone Size: 16 mm with accessories			4045	4045			Cone Size: 16 mm with accessories	3640 39
3640 51	Cone Size: 18 mm			4046	4046			Cone Size: 18 mm	3640 51
3640 50	Cone Size: 18 mm			4228	4228			Cone Size: 18 mm	3640 50
3520.H5	Control Arm with rubber mounting, without ball joint Sheet Steel			1190	1191			Control Arm with rubber mounting, without ball joint Sheet Steel	3521.E5
3520 J3	Control Arm Steel			1192	1193			Control Arm Steel	3521 F3



6042



6042

5103



5103

3510



3510

4044



4044

4045



4045

4046



4046

4228



4228

1190



1191

BX / BX Break (XB-_)

10.1982 - 06.1994

1192



1193



BX / BX Break (XB-_) 10.1982 - 06.1994									
OEM	Info	F / R	Type			Type	F / R	Info	OEM
95 496 044	with right-hand thread Thread Size : M14x1,5			3098	3097			with right-hand thread Thread Size: M14x1,5	95 496 045
96070064				2123	2123				96070064

3098



3097



2123



2123



C1 (PM_, PN_) -5,2015									
OEM	Info	F / R	Type			Type	F / R	Info	OEM
5091 10	Suspension Rod Length: 92 mm Outer Thread: M8x1,25 mm with rubbermounting			5104	5104			Suspension Rod Length: 92 mm Outer Thread: M8x1,25 mm with rubbermounting	5091 10
3817 63	Inner Thread: M12x1,25 mm Outer Thread: M12x1,25 mm Length: 163 mm Cone Size: 15 mm			3099	3100			Inner Thread: M12x1,25 mm Outer Thread: M12x125 mm Length: 163 mm Cone Size: 15 mm	3817 64
3520 Q2				4229	4229				3520 Q2
3520 Q2	Control Arm			1194	1195			Control Arm	3521 L3
3520 Q2	for control arm			2124	2124			for control arm	3520 Q2
3520 Q2	for control arm			2125	2125			for control arm	3520 Q2



5104



5104



3099



3100



4229



4229



1194



1195



2124



2124



2125



2125



CITROËN

C15 (VD-)						10.1984 - 05.2015			
OEM	Info	F / R	Type			Type	F / R	Info	OEM
3817 50	with accessories with right-hand thread Thread Size: M14x1,5			3510	3510			with accessories with right-hand thread Thread Size: M14x1,5	3817 50
3520 51	Control Arm with rubber mounting with accessories Steel			1196	1197			Control Arm with rubber mounting with accessories Steel	3521 34
3523 20	Mounting Type: Rubber-metal Bearing Width: 34,0 mm Outer Diameter: 28,0 mm Inner Diameter: 10,0 mm Control Arm			2126	2126			Mounting Type: Rubber-metal Bearing Width: 34,0 mm Outer Diameter: 28,0 mm Inner Diameter: 10,0 mm Control Arm	3523 20



C2 (JM_)						-3,2015			
OEM	Info	F / R	Type			Type	F / R	Info	OEM
3812 E1	Outer Thread: M14x1,5 mm			6043	6043			Outer Thread: M14x1,5 mm	3812 E1
5087 45	Suspension Rod Steel with accessories			5105	5105			Suspension Rod Steel with accessories	5087 45
3817 55	Inner Thread: M14x1,5 mm			3101	3102			Inner Thread: M14x1,5 mm	3817 56
3640 61				4049	4049				3640 61
3640 59				4230	4230				3640 59
3520 L9	Control Arm			1198	1199			Control Arm	3521 J1



CITROËN

C25 (280_, 290_)								07.1981 - 03.1994		
OEM	Info	F / R	Type			Type	F / R	Info	OEM	
3817 11	Length: 80 mm Cone Size: 16 mm Inner Thread: M16x1,5 mm with right-hand thread Thread Size: M16x1,5			3103	3103			Length: 80 mm Cone Size: 16 mm Inner Thread: M16x1,5 mm with right-hand thread Thread Size: M16x1,5	3817 11	
3520 76	Control Arm without ball joint, with rubber mounting only with: 11591 Steel			1201	1200			Control Arm without ball joint, with rubber mounting only with: 11591 Steel	3521 52	



3103



3103



1201



1200



C3 (FC_, HB_)								-2,2015		
OEM	Info	F / R	Type			Type	F / R	Info	OEM	
3812 E1	Outer Thread: M14x1,5 mm			6043	6043			Outer Thread: M14x1,5 mm	3812 E1	
5087 45	Suspension Rod Steel with accessories			5105	5105			Suspension Rod Steel with accessories	5087 45	
3817 55	Inner Thread: M14x1,5 mm			3101	3102			Inner Thread: M14x1,5 mm	3817 56	
3640 56				4231	4231				3640 56	
3640 59				4230	4230				3640 59	
3520 L3	Control Arm			1202	1203			Control Arm	3521 H5	



6043



6043



5105



5105



3101



3102



4231



4231



4230



4230



1202



1203

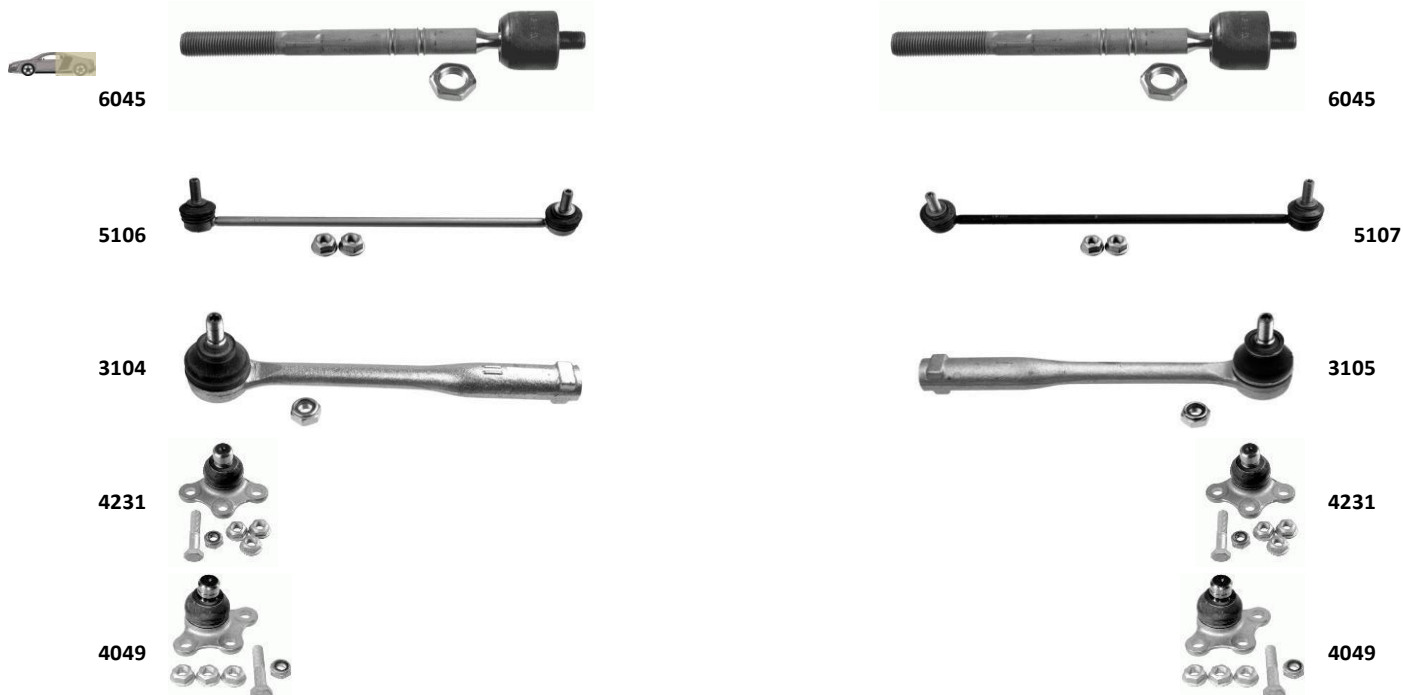


CITROËN

C3 II								-9,2015	
OEM	Info	F / R	Type			Type	F / R	Info	OEM
3812 F6	Thread Size: M12x1,0			6044	6044			Thread Size: M12x1,0	3812 F6
5087 45	Suspension Rod Steel with accessories			5105	5105			Suspension Rod Steel with accessories	5087 45
3640 59				4230	4230				3640 59



C3 Picasso								-9,2015	
OEM	Info	F / R	Type			Type	F / R	Info	OEM
3812 E8	Thread Measurement 1: M12x1,0 Thread Size 2: M16x1,5 Length: 195 mm			6045	6045			Thread Measurement 1: M12x1,0 Thread Size 2: M16x1,5 Length: 195 mm	3812 E8
5087 54	Suspension Rod Length: 330 mm Outer Thread: M10x1,5 mm			5106	5107			Suspension Rod Length: 330 mm Outer Thread: M10x1,5 mm	5087 55
3817 67	Length: 210 mm Cone Size: 14 mm Thread Size: M10x1,25 Inner Thread: M16x1,5 mm			3104	3105			Length: 210 mm Cone Size: 14 mm Thread Size: M10x1,25 Inner Thread: M16x1,5 mm	3817 68
3640 56				4231	4231				3640 56
3640 61				4049	4049				3640 61



CITROËN

C4 (B7)								-9,2015	
OEM	Info	F / R	Type			Type	F / R	Info	OEM
	Thread Size: M14x1,5 Length: 257 mm			6046	6046			Thread Size: M14x1,5 Length: 257 mm	
3817.76				3094	3509				3817.75
	Outer Thread: M14x1,5 mm Cone Size: 17 mm			4232	4232			Outer Thread: M14x1,5 mm Cone Size: 17 mm	
3520 V2	Cast Steel			1204	1205			Cast Steel	3521 R3
3523 91	Mounting Type: Rubber-metal Bearing for controlarm			2121	2121			Mounting Type: Rubber-metal Bearing for controlarm	3523 91
3523 92	Mounting Type: Rubber-metal Bearing for controlarm			2122	2122			Mounting Type: Rubber-metal Bearing for controlarm	3523 92



6046



6046



3094



3509



4232



4232



1204



1205



2121



2121



2122



2122



CITROËN

C4 / C4 Coupe (LC_, LA_) -4,2015									
OEM	Info	F / R	Type			Type	F / R	Info	OEM
3812 E0	Thread Size: M14x1,5 Length: 306 mm Inner Thread: M14x1,5 mm			6047	6047			Thread Size: M14x1,5 Length: 306 mm Inner Thread: M14x1,5 mm	3812 E0
3812 E5	Thread Measurement 1: M14x1,5 Thread Size 2: M14x1,5 Length: 324 mm			6048	6048			Thread Measurement 1: M14x1,5 Thread Size 2: M14x1,5 Length: 324 mm	3812 E5
5087 50	Suspension Rod Length: 335 mm Steel with accessories			5102	5102			Suspension Rod Length: 335 mm Steel with accessories	5087 50
3817 50	with accessories with right-hand thread Thread Size: M14x1,5			3510	3510			with accessories with right-hand thread Thread Size: M14x1,5	3817 50
3817 41	with right-hand thread Thread Size: M14x1,5			3092	3092			with right-hand thread Thread Size: M14x1,5	3817 41
3817 31	with right-hand thread Outer Thread: M14x1,5 mm			3093	3093			with right-hand thread Outer Thread: M14x1,5 mm	3817 31
3640 60	with accessories			4043	4043			with accessories	3640 60
3520 P3	Control Arm with rubber mounting Cast Steel			1188	1189			Control Arm with rubber mounting Cast Steel	3521 K3
3523 91	Mounting Type: Rubber-metal Bearing for control arm			2121	2121			Mounting Type: Rubber-metal Bearing for control arm	3523 91
3523 92	Mounting Type: Rubber-metal Bearing for control arm			2122	2122			Mounting Type: Rubber-metal Bearing for control arm	3523 92



6047



6047



6048



6048



5102



5102



3510



3510



3092



3092



3093



3093

C4 / C4 Coupe (LC_, LA_)

-4,2015



C4 AIRCROSS

-10,2015

OEM	Info	F / R	Type			Type	F / R	Info	OEM
5178 48				5108	5109				5178 49



C4 Picasso / C4 Grand Picasso (UA_)

-6,2015

OEM	Info	F / R	Type			Type	F / R	Info	OEM
3812 E9	Thread Measurement 1: M14x1,5 Thread Size 2: M16x1,5 Length: 296,5 mm			6049	6049			Thread Measurement 1: M14x1,5 Thread Size 2: M16x1,5 Length: 296,5 mm	3812 E9
5087 50	Suspension Rod Length: 335 mm Steel with accessories			5102	5102			Suspension Rod Length: 335 mm Steel with accessories	5087 50
3817 71	Inner Thread: M16x1,5 mm Outer Thread: M10x1,25 mm			3106	3107			Inner Thread: M16x1,5 mm Outer Thread: M10x1,25 mm	3817 72
3640 60	with accessories			4043	4043			with accessories	3640 60
3520 P3	Control Arm with rubber mounting Cast Steel			1188	1189			Control Arm with rubber mounting Cast Steel	3521 K3
3523 91	Mounting Type: Rubber-metal Bearing for control arm			2121	2121			Mounting Type: Rubber-metal Bearing for control arm	3523 91
3523 92	Mounting Type: Rubber-metal Bearing for control arm			2122	2122			Mounting Type: Rubber-metal Bearing for control arm	3523 92



6049

6049



5102

5102

CITROËN

C4 Picasso / C4 Grand Picasso (UA_)

-6,2015



3107



4043



1189



2121



2122

C5 / C5 Break (DC_,DE_)

03.2001 - 04.2015

OEM	Info	F / R	Type			Type	F / R	Info	OEM
3812 C8	Thread Measurement 1: M16x1,5 Thread Size 2: M16x1,5 Length: 167 mm			6311	6311			Thread Measurement 1: M16x1,5 Thread Size 2: M16x1,5 Length: 167 mm	3812 C8
5087 43	Suspension Rod with accessories			5110	5110			Suspension Rod with accessories	5087 43
3817 53				3511	3512				3817 54
3640 28	with accessories			4053	4053			with accessories	3640 28
3520 K3	Control Arm Cast Steel			1206	1207			Control Arm Cast Steel	3521 G3
3523 95	Mounting Type: Rubber-metal Bearing for control arm			2127	2127			Mounting Type: Rubber-metal Bearing for control arm	3523 95
3523 84	Mounting Type: Rubber-metal Bearing for control arm			2128	2128			Mounting Type: Rubber-metal Bearing for control arm	3523 84



6311



5110



3512

CITROËN



C5 / C5 Break (RC_, RE_) -4,2015									
OEM	Info	F / R	Type			Type	F / R	Info	OEM
3812 C8	Thread Measurement 1: M16x1,5 Thread Size 2: M16x1,5 Length: 167 mm			6311	6311			Thread Measurement 1: M16x1,5 Thread Size 2: M16x1,5 Length: 167 mm	3812 C8
5087 43	Suspension Rod with accessories			5110	5110			Suspension Rod with accessories	5087 43
3817 53				3511	3512				3817 54
3640 28	with accessories			4053	4053			with accessories	3640 28
3520 K3	Control Arm Cast Steel			1206	1207			Control Arm Cast Steel	3521 G3
3523 95	Mounting Type: Rubber-metal Bearing for control arm			2127	2127			Mounting Type: Rubber-metal Bearing for control arm	3523 95
3523 84	Mounting Type: Rubber-metal Bearing for control arm			2128	2128			Mounting Type: Rubber-metal Bearing for control arm	3523 84



CITROËN

C5 / C5 Break (RC_, RE_)

-4,2015



C5 / C5 Break (RD_, TD_)								-8,2015	
OEM	Info	F / R	Type			Type	F / R	Info	OEM
3812 F3	Thread Measurement 1: M16x1,5 Thread Size 2: M14x1,5 Length: 105 mm			6051	6051			Thread Measurement 1: M16x1,5 Thread Size 2: M14x1,5 Length: 105 mm	3812 F3
5087 52	Suspension Rod Length: 200 mm Thread Size: M16x1,5, M12x1,75			5111	5113			Suspension Rod Length: 200 mm Thread Size: M16x1,5, M12x1,75	5087 53
5087 52				5112	5114				5087 53
3817 80	Inner Thread: M14x1,5 mm Thread Size: M12x1,50 Length: 210 mm			3513	3514			Inner Thread: M14x1,5 mm Thread Size: M12x1,5 Length: 210 mm	3817 81
3640 74	Cone Size: 20,6 mm with fastening material			4054	4054			Cone Size: 20,6 mm with fastening material	3640 74
3640 69				4055	4055				3640 69
3523.AZ				2129	2129				3523.AZ
3523 CA	for control arm			2130	2130			for control arm	3523 CA
5178 46				5115	5115				5178 46





3513



3514



4054



4054



4055



4055



2129



2129



2130



2130



5115



5115

C6 (TD_)								-5,2015	
OEM	Info	F / R	Type			Type	F / R	Info	OEM
3812 E3				6053	6053				3812 E3
3812 E7	Thread Size: M16x1,5			6052	6052			Thread Size: M16x1,5	3812 E7
5087 52	Suspension Rod Length: 200 mm Thread Size: M16x1,5, M12x1,75			5111	5113			Suspension Rod Length: 200 mm Thread Size: M16x1,5, M12x1,75	5087 53
5087 52				5112	5114				5087 53
3817 65	Thread Size: M12x1,5, M14x1,5 Length: 242 mm			3515	3516			Thread Size: M12x1,5, M14x1,5 Length: 242 mm	3817 66
3640 74	Cone Size: 20,6 mm with fastening material			4054	4054			Cone Size: 20,6 mm with fastening material	3640 74
3640 69				4055	4055				3640 69
3520 Q1	Control Arm			1208	1209			Control Arm	3521 L2
3523.AZ				2129	2129				3523.AZ
3523 CA	for control arm			2130	2130			for control arm	3523 CA
5178 46				5115	5115				5178 46



6053



6053



6052



6052



5111



5113

CITROËN

C6 (TD_)

-5,2015



5112



5114



3515



3516



4054



4054



4055



4055



1208



1209



2129



2129



2130



2130



5115



5115

CITROËN

C8 (EA_, EB_) -2,2015									
OEM	Info	F / R	Type			Type	F / R	Info	OEM
3812 E2	Length: 299 mm Thread Measurement 1: M14x1,5 Thread Size 2: M14x1,5			6054	6054			Length: 299 mm Thread Measurement 1: M14x1,5 Thread Size 2: M14x1,5	3812 E2
3812 F0	Thread Measurement 1: M16x1,5 Thread Size 2: M14x1,5 Length: 282 mm			6055	6055			Thread Measurement 1: M16x1,5 Thread Size 2: M14x1,5 Length: 282 mm	3812 F0
5087 51	Suspension Rod with accessories			5116	5116			Suspension Rod with accessories	5087 51
4059 12	Length: 75 mm Cone Size: 15,45 mm Thread Measurement 1: M14x1,5 Thread Size 2: M10x1,25			3114	3114			Length: 75 mm Cone Size: 15,45 mm Thread Measurement 1: M14x1,5 Thread Size 2: M10x1,25	4059 12
3817 73	Cone Size: 18 mm Thread Size: M14x1,5 Length: 80 mm			3115	3115			Cone Size: 18 mm Thread Size: M14x1,5 Length: 80 mm	3817 73
3520 P6	Control Arm			1210	1211			Control Arm	3521 H1
16 075 106 80	Control Arm Cast Steel Cone Size: 17 mm			1212	1213			Control Arm Cast Steel Cone Size: 17 mm	16 075 107 80
3520 V8	Control Arm Cast Steel			1214	1215			Control Arm Cast Steel	3521 S0



6054



6054



6055



6055



5116



5116



3114



3114



3115



3115



1210



1211



1212



1213

C-CROSSER (EP_) -7,2015

1214



1215

CITROËN

C-CROSSER (EP_) -7,2015									
OEM	Info	F / R	Type			Type	F / R	Info	OEM
5087 58				5117	5117				5087 58
3817 74	Inner Thread: M14x1,5 mm Outer Thread: M12x1,25 mm Length: 76 mm			3116	3116			Inner Thread: M14x1,5 mm Outer Thread: M12x1,25 mm Length: 76 mm	3817 74
5178 48				5108	5109				5178 49



C-CROSSER ENTERPRISE -9,2015									
OEM	Info	F / R	Type			Type	F / R	Info	OEM
5178 48				5108	5109				5178 49



DS3 -9,2015									
OEM	Info	F / R	Type			Type	F / R	Info	OEM
3812 F6	Thread Size: M12x1,0			6044	6044			Thread Size: M12x1,0	3812 F6
5087 45	Suspension Rod Steel with accessories			5105	5105			Suspension Rod Steel with accessories	5087 45
3640 61				4049	4049				3640 61



CITROËN

DS4								-11,2015	
OEM	Info	F / R	Type			Type	F / R	Info	OEM
	Thread Size: M14x1,5 Length: 257 mm			6046	6046			Thread Size: M14x1,5 Length: 257 mm	
3812 F8				6056	6056				3812 F8
3817.76				3094	3509				3817.75
	Outer Thread: M14x1,5 mm Cone Size: 17 mm			4232	4232			Outer Thread: M14x1,5 mm Cone Size: 17 mm	
3520 V2	Cast Steel			1204	1205			Cast Steel	3521 R3
3523 91	Mounting Type: Rubber-metal Bearing for control arm			2121	2121			Mounting Type: Rubber-metal Bearing for control arm	3523 91
3523 92	Mounting Type: Rubber-metal Bearing for control arm			2122	2122			Mounting Type: Rubber-metal Bearing for control arm	3523 92



DS5								-11,2015	
OEM	Info	F / R	Type			Type	F / R	Info	OEM
3812 F7				6057	6057				3812 F7
5087 50	Suspension Rod Length: 335 mm Steel with accessories			5102	5102			Suspension Rod Length: 335 mm Steel with accessories	5087 50
	Outer Thread: M14x1,5 mm Cone Size: 17 mm			4232	4232			Outer Thread: M14x1,5 mm Cone Size: 17 mm	



CITROËN



5102



5102



4232



4232

EVASION (22, U6)				06.1994 - 02.2015					
OEM	Info	F / R	Type			Type	F / R	Info	OEM
3812 A4	Length: 320 mm Outer Thread: M14x1,5 mm			6058	6058			Length: 320 mm Outer Thread: M14x1,5 mm	3812 A4
5087 35	Suspension Rod Thread Size: M12x1,25 Length: 122 mm Steel			5118	5118			Suspension Rod Thread Size: M12x1,25 Length: 122 mm Steel	5087 35
4059 09	with right-hand thread Inner Thread: M14x1,5 mm with accessories			3517	3517			with right-hand thread Inner Thread: M14x1,5 mm with accessories	4059 09
13 13 083 080	Control Arm with ball joint, with rubber mounting, with fastening material Steel			1216	1217			Control Arm with ball joint, with rubber mounting, with fastening material Steel	13 13 084 080



6058



6058



5118



5118



3517



3517



1216



1217

JUMPER								-6,2015	
OEM	Info	F / R	Type			Type	F / R	Info	OEM
16 077 445 80	Thread Measurement 1: M16x1,5 Thread Size 2: M16x1,5 Length: 239,5 mm			6059	6059			Thread Measurement 1: M16x1,5 Thread Size 2: M16x1,5 Length: 239,5 mm	16 077 445 80
3817 77	Suspended Inner Thread: M16x1,5 mm Outer Thread: M14x1,5 mm Length: 210 mm for left-/right-hand traffic			3518	3119			Suspended Inner Thread: M16x1,5 mm Outer Thread: M14x1,5 mm Length: 210 mm for left-/right-hand traffic	3817 70
3640 67				4056	4056				3640 67
3520 S0	Control Arm Cast Steel			1218	1219			Control Arm Cast Steel	3521 P1
3520 S1	Control Arm Cast Steel			1220	1221			Control Arm Cast Steel	3521 P2
5170 F5	Suspension Rod Length: 100 mm Pipe Ø: 8 mm Thread Size: M10x1,25			5119	5119			Suspension Rod Length: 100 mm Pipe Ø: 8 mm Thread Size: M10x1,25	5170 F5



6059



6059

3518



3119



4056



4056



1218



1219



1220



1221



5119



5119



CITROËN

JUMPER (230, 230L, 230P)								02.1994 - 02.2015	
OEM	Info	F / R	Type			Type	F / R	Info	OEM
4006 24				6060	6060				4006 24
5087 37	Suspension Rod Thread Size: M12x1,25 Length: 134 mm Steel			5120	5120			Suspension Rod Thread Size: M12x1,25 Length: 134 mm Steel	5087 37
4018 A3	with right-handthread			3120	3120			with right-handthread	4018 A3
3640 32				4057	4057				3640 32
3640 33				4058	4058				3640 33
3640 55	with accessories			4059	4059			with accessories	3640 55
3640 54	with accessories			4060	4060			with accessories	3640 54
3520 95	Control Arm Cone Size: 20 mm			1222	1223			Control Arm Cone Size: 20 mm	3521 65
3520 96	Control Arm Cone Size: 24 mm			1224	1225			Control Arm Cone Size: 24 mm	3521 66
3523 93				2131	2131				3523 93
3523 94				2132	2132				3523 94



6060



6060



5120



5120



3120



3120



4057



4057



4058



4058



4059



4059



4060



4060



1222



1223



1224



1225





2131



2131



2132



2132



JUMPER (244, Z_)

-2,2015

OEM	Info	F / R	Type			Type	F / R	Info	OEM
4006 24				6060	6060				4006 24
5087 37	Suspension Rod Thread Size: M12x1,25 Length: 134 mm Steel			5120	5120			Suspension Rod Thread Size: M12x1,25 Length: 134 mm Steel	5087 37
4018 A3	with right-handthread			3120	3120			with right-handthread	4018 A3
4018 E0	with accessories			3121	3121			with accessories	4018 E0
3640 55	with accessories			4059	4059			with accessories	3640 55
3640 54	with accessories			4060	4060			with accessories	3640 54
3520 95	Control Arm Cone Size: 20 mm			1222	1223			Control Arm Cone Size: 20 mm	3521 65
3520 96	Control Arm Cone Size: 24 mm			1224	1225			Control Arm Cone Size: 24 mm	3521 66
3523 93				2131	2131				3523 93
3523 94				2132	2132				3523 94
3523 AP				2133	2133				3523 AP



6060



6060



5120



5120



3120



3120



3121



3121



4059



4059



4060



4060



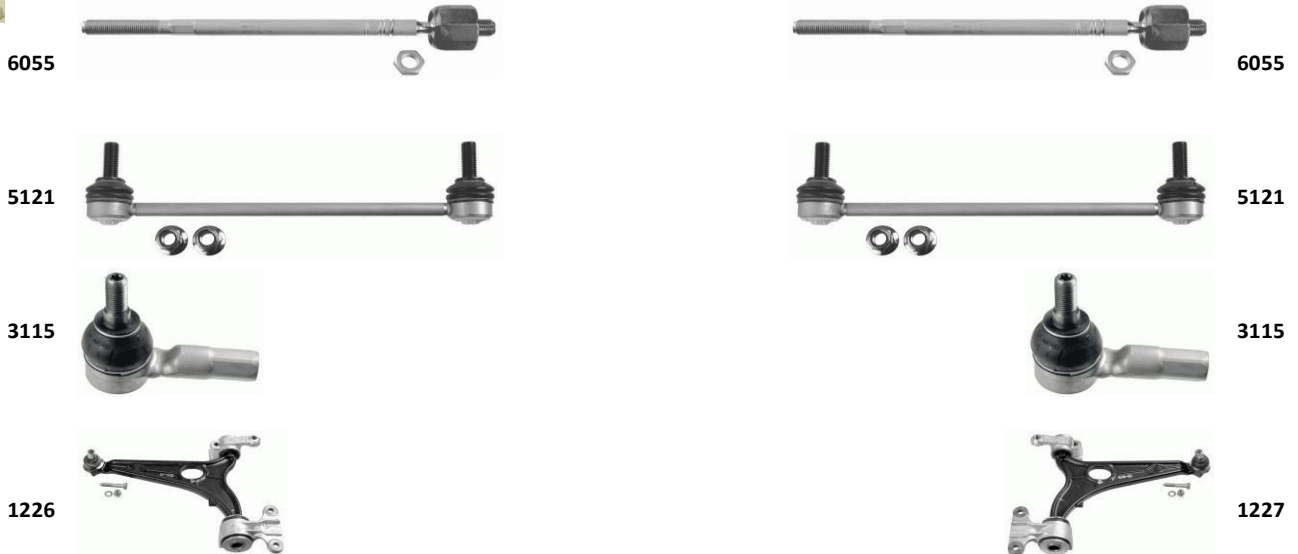
CITROËN

JUMPER (244, Z_)

-2,2015



JUMPY								-7,2015	
OEM	Info	F / R	Type			Type	F / R	Info	OEM
3812 F0	Thread Measurement 1: M16x1,5 Thread Size 2: M14x1,5 Length: 282 mm			6055	6055			Thread Measurement 1: M16x1,5 Thread Size 2: M14x1,5 Length: 282 mm	3812 F0
5087 56	Suspension Rod Thread Size: M12x1,75			5121	5121			Suspension Rod Thread Size: M12x1,75	5087 56
3817 73	Cone Size: 18 mm Thread Size: M14x1,5 Length: 80 mm			3115	3115			Cone Size: 18 mm Thread Size: M14x1,5 Length: 80 mm	3817 73
3520 R8	Control Arm Cast Steel Cone Size: 19 mm			1226	1227			Control Arm Cast Steel Cone Size: 19 mm	3521 N9



CITROËN

JUMPY (BS_, BT_, BU_, BV_, BW_, BX_, BY_, BZ_, U6U)								-6,1994	
OEM	Info	F / R	Type			Type	F / R	Info	OEM
3812 A4	Length: 320 mm Outer Thread: M14x1,5 mm			6058	6058			Length: 320 mm Outer Thread: M14x1,5 mm	3812 A4
5087 35	Suspension Rod Thread Size: M12x1,25 Length: 122 mm Steel			5118	5118			Suspension Rod Thread Size: M12x1,25 Length: 122 mm Steel	5087 35
4059 09	with right-hand thread Inner Thread: M14x1,5 mm with accessories			3517	3517			with right-hand thread Inner Thread: M14x1,5 mm with accessories	4059 09
4059 12	Length: 75 mm Cone Size: 15,45 mm Thread Measurement 1: M14x1,5 Thread Size 2: M10x1,25			3114	3114			Length: 75 mm Cone Size: 15,45 mm Thread Measurement 1: M14x1,5 Thread Size 2: M10x1,25	4059 12
13 13 083 080	Control Arm with ball joint, with rubber mounting, with fastening material Steel			1216	1217			Control Arm with ball joint, with rubber mounting, with fastening material Steel	13 13 084 080



6058



6058



5118



5118



3517



3517



3114



3114



1216



1217



LNA								11.1976 - 10.1986	
OEM	Info	F / R	Type			Type	F / R	Info	OEM
3817 50	with accessories with right-hand thread Thread Size: M14x1,5			3510	3510			with accessories with right-hand thread Thread Size: M14x1,5	3817 50



3510



3510



CITROËN

NEMO (AA_)								-8,2015	
OEM	Info	F / R	Type			Type	F / R	Info	OEM
5087 65	Suspension Rod Length: 290 mm Thread Size: M10x1,25			5122	5122			Suspension Rod Length: 290 mm Thread Size: M10x1,25	5087 65
3817 86	Cone Size: 14 mm Thread Size: M10x1,25 Length: 112 mm			3122	3123			Cone Size: 14 mm Thread Size: M10x1,25 Length: 112 mm	3817 87
3520 W3				4002	4002				3520 W3
3520 W3	Control Arm Sheet Steel			1531	1532			Control Arm Sheet Steel	3521 S6
3520 W3	Outer Diameter: 73,7 mm Inner Diameter: 12,4 mm Length: 66 mm			2000	2000			Outer Diameter: 73,7 mm Inner Diameter: 12,4 mm Length: 66 mm	3520 W3
3520 W3	Outer Diameter: 42,3 mm Inner Diameter: 19 mm Length: 67,5 mm			2001	2001			Outer Diameter: 42,3 mm Inner Diameter: 19 mm Length: 67,5 mm	3520 W3



5122



5122



3122



3123



4002



4002



1531



1532



2000



2000



2001



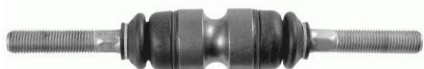
2001



SAXO (S0, S1)						02.1996 - 04.2015			
OEM	Info	F / R	Type			Type	F / R	Info	OEM
3817 47	with left-hand thread Thread Size: M14x1,5 without			6061	6061			with left-hand thread Thread Size: M14x1,5 without	3817 47
3817 41	with right-hand thread Thread Size: M14x1,5			3092	3092			with right-hand thread Thread Size: M14x1,5	3817 41
3817 31	with right-hand thread Outer Thread: M14x1,5mm			3093	3093			with right-hand thread Outer Thread: M14x1,5mm	3817 31
3640 36	with accessories			4042	4042			with accessories	3640 36
3520 92	Control Arm Steel			1187	1186			Control Arm Steel	3520 93
3520 78	Control Arm with rubber mounting with accessories Steel			1184	1185			Control Arm with rubber mounting with accessories Steel	3520 79
3523 52	Control Arm Inner Diameter: 17mm for OE No.: 3520 92, 3520 93			2134	2134			Control Arm Inner Diameter: 17mm for OE No.: 3520 92, 3520 93	3523 52
3523 50	Control Arm			2415	2415			Control Arm	3523 50



6061



6061

3092



3092

3093



3093

4042



4042

1187



1186

1184



1185

2134



2134

2120



2120

2415



2415

CITROËN

VISA / VISA Convertible								09.1978 - 03.1991	
OEM	Info	F / R	Type			Type	F / R	Info	OEM
5087 32	Suspension Rod with accessories			5123	5123			Suspension Rod with accessories	5087 32
3817 50	with accessories with right-hand thread Thread Size: M14x1,5			3510	3510			with accessories with right-hand thread Thread Size: M14x1,5	3817 50
3520 51	Control Arm with rubber mounting with accessories Steel			1196	1197			Control Arm with rubber mounting with accessories Steel	3521 34
3523 20	Mounting Type: Rubber-metal Bearing Width: 34,0 mm Outer Diameter: 28,0 mm Inner Diameter: 10,0 mm Control Arm			2126	2126			Mounting Type: Rubber-metal Bearing Width: 34,0 mm Outer Diameter: 28,0 mm Inner Diameter: 10,0 mm Control Arm	3523 20



XANTIA / XANTIA Break (X1)								03.1993 - 01.1998	
OEM	Info	F / R	Type			Type	F / R	Info	OEM
96 136 394	Thread Size: M14x1,5 with right-hand thread for OE No.: 3812.29/31			6062	6062			Thread Size: M14x1,5 with right-hand thread for OE No.: 3812.29/31	96 136 394
3812 A9	Length: 296 mm			6063	6063			Length: 296 mm	3812 A9
96 145 457	Suspension Rod with accessories			5124	5124			Suspension Rod with accessories	96 145 457
5087 40	Suspension Rod			5125	5125			Suspension Rod	5087 40
3817 37	Outer Thread: M16x1,5 mm, M10x1,25 mm			3124	3125			Outer Thread: M16x1,5 mm, M10x1,25 mm	3817 38
3817 41	with right-hand thread Thread Size: M14x1,5			3092	3092			with right-hand thread Thread Size: M14x1,5	3817 41
3817 31	with right-hand thread Outer Thread: M14x1,5 mm			3093	3093			with right-hand thread Outer Thread: M14x1,5 mm	3817 31
3640 28	with accessories			4053	4053			with accessories	3640 28
3520 86	Control Arm Steel			1229	1228			Control Arm Steel	3521 58
96 083 570	for control arm			2416	2416			for control arm	96 083 570
3523 81				2417	2138				3523 82



6062



6062



6063



6063



5124



5124



5125



5125



3124



3125



3092



3092



3093



3093



4053



4053



1229



1228



2416



2416



2417

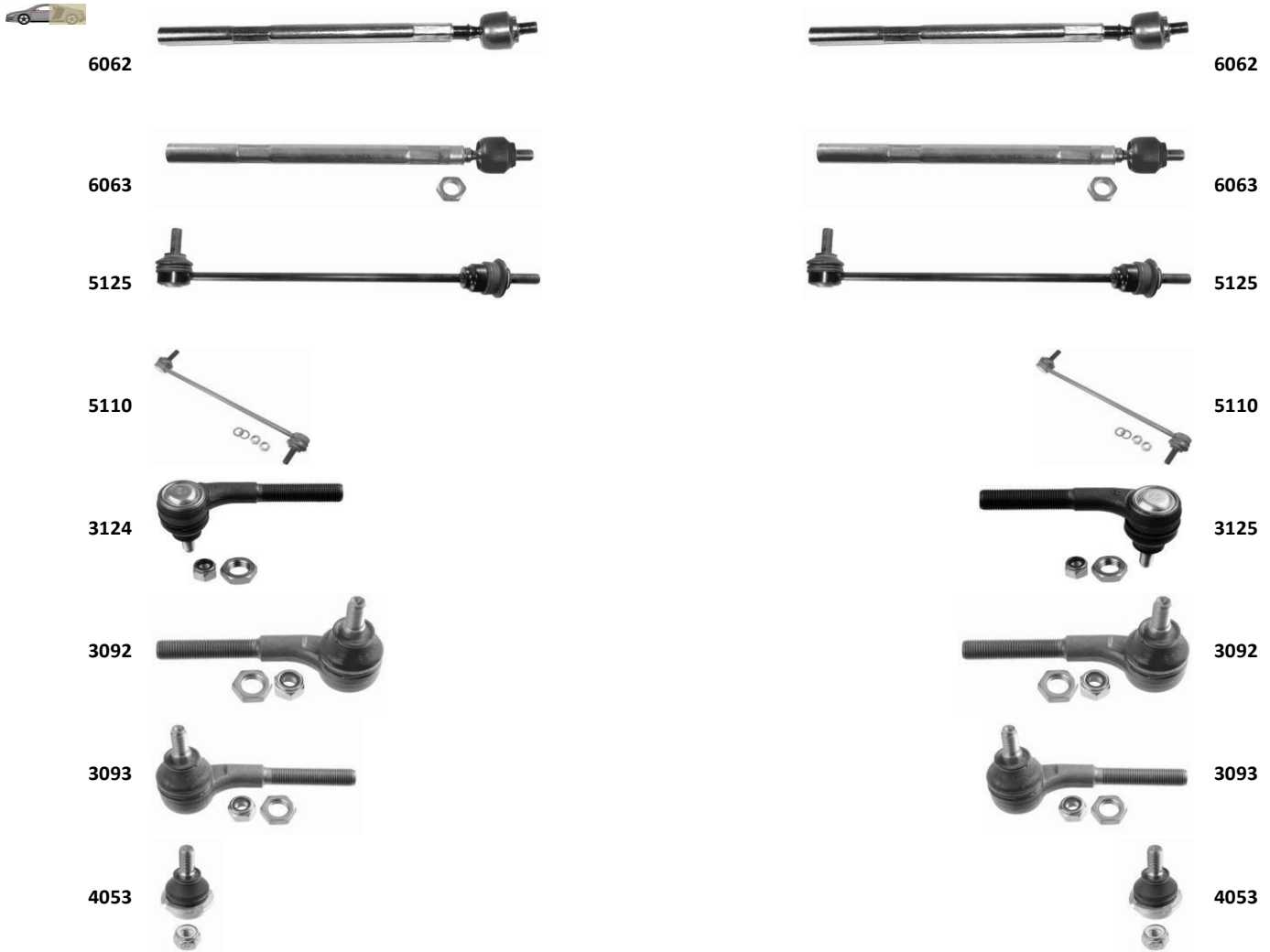


2138



CITROËN

XANTIA / XANTIA Break (X2)								01.1998 - 03.2015	
OEM	Info	F / R	Type			Type	F / R	Info	OEM
96 136 394	Thread Size: M14x1,5 with right-hand thread for OE No.: 3812.29/31			6062	6062			Thread Size: M14x1,5 with right-hand thread for OE No.: 3812.29/31	96 136 394
3812 A9	Length: 296 mm			6063	6063			Length: 296 mm	3812 A9
5087 40	Suspension Rod			5125	5125			Suspension Rod	5087 40
5087 43	Suspension Rod with accessories			5110	5110			Suspension Rod with accessories	5087 43
3817 37	Outer Thread: M16x1,5 mm, M10x1,25 mm			3124	3125			Outer Thread: M16x1,5 mm, M10x1,25 mm	3817 38
3817 41	with right-hand thread Thread Size: M14x1,5			3092	3092			with right-hand thread Thread Size: M14x1,5	3817 41
3817 31	with right-hand thread Outer Thread: M14x1,5 mm			3093	3093			with right-hand thread Outer Thread: M14x1,5 mm	3817 31
3640 28	with accessories			4053	4053			with accessories	3640 28
3520 86	Control Arm Steel			1229	1228			Control Arm Steel	3521 58
96 083 570	for control arm			2416	2416			for control arm	96 083 570
3523 81				2417	2138				3523 82



XANTIA / XANTIA Break (X2)

01.1998 - 03.2015



1229



1228



2416



2416



2417



2138

XM / XM Break (Y3, Y4)

05.1989 - 10.1994

OEM	Info	F / R	Type	6312	6312	Type	F / R	Info	OEM
3812 99	with accessories							with accessories	3812 99
00 00 508 730	Suspension Rod							Suspension Rod	00 00 508 730
3817 41	with right-hand thread Thread Size: M14x1,5							with right-hand thread Thread Size: M14x1,5	3817 41
3817 31	with right-hand thread Outer Thread: M14x1,5 mm							with right-hand thread Outer Thread: M14x1,5 mm	3817 31
3640 28	with accessories							with accessories	3640 28
3523.43	for control arm							for control arm	3523.43
3523 57									3523 57



6312



6312



5126



5126



3092



3092



3093



3093



4053



4053



2139



2139



2140



2140

CITROËN

XSARA (N1, N2, N0)						04.1997 - 05.2015			
OEM	Info	F / R	Type			Type	F / R	Info	OEM
3812 C0	with right-hand thread Thread Size: M14x1,5 with accessories			6042	6042			with right-hand thread Thread Size: M14x1,5 with accessories	3812 C0
5087 39	Suspension Rod with accessories Steel			5103	5103			Suspension Rod with accessories Steel	5087 39
3817 50	with accessories with right-hand thread Thread Size: M14x1,5			3510	3510			with accessories with right-hand thread Thread Size: M14x1,5	3817 50
3640 38	Cone Size: 16 mm with accessories			4044	4044			Cone Size: 16 mm with accessories	3640 38
3640 39	Cone Size: 16 mm with accessories			4045	4045			Cone Size: 16 mm with accessories	3640 39
3640 51	Cone Size: 18 mm			4046	4046			Cone Size: 18 mm	3640 51
3640 50	Cone Size: 18 mm			4228	4228			Cone Size: 18 mm	3640 50
3640 52	with accessories			4061	4061			with accessories	3640 52
3520.H5	Control Arm with rubber mounting, without ball joint Sheet Steel			1190	1191			Control Arm with rubber mounting, without ball joint Sheet Steel	3521.E5



6042



6042



5103



5103



3510



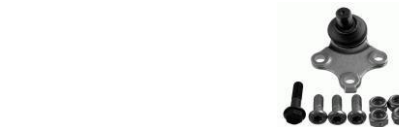
3510



4044



4044



4045



4045



4046



4046



4228



4228



4061



4061



1190



1191



CITROËN

XSARA PICASSO (N68)								-12,1999	
OEM	Info	F / R	Type			Type	F / R	Info	OEM
5087 39	Suspension Rod with accessories Steel			5103	5103			Suspension Rod with accessories Steel	5087 39
3817 50	with accessories with right-hand thread Thread Size: M14x1,5			3510	3510			with accessories with right-hand thread Thread Size: M14x1,5	3817 50
3640 51	Cone Size: 18 mm			4046	4046			Cone Size: 18 mm	3640 51
3640 50	Cone Size: 18 mm			4228	4228			Cone Size: 18 mm	3640 50
3520.H5	Control Arm with rubber mounting, without ball joint Sheet Steel			1190	1191			Control Arm with rubber mounting, without ball joint Sheet Steel	3521.E5
3520 J3	Control Arm Steel			1192	1193			Control Arm Steel	3521 F3



5103



5103



3510



3510



4046



4046



4228



4228



1190



1191



1192



1193



CITROËN

ZX / ZX Break (N2)						03.1991 - 10.1997			
OEM	Info	F / R	Type			Type	F / R	Info	OEM
3812 C0	with right-hand thread Thread Size: M14x1,5 with accessories			6042	6042			with right-hand thread Thread Size: M14x1,5 with accessories	3812 C0
5087 39	Suspension Rod with accessories Steel			5103	5103			Suspension Rod with accessories Steel	5087 39
3817 50	with accessories with right-hand thread Thread Size: M14x1,5			3510	3510			with accessories with right-hand thread Thread Size: M14x1,5	3817 50
3640 38	Cone Size: 16 mm with accessories			4044	4044			Cone Size: 16 mm with accessories	3640 38
3640 39	Cone Size: 16 mm with accessories			4045	4045			Cone Size: 16 mm with accessories	3640 39
3520.H5	Control Arm with rubber mounting, without ball joint Sheet Steel			1190	1191			Control Arm with rubber mounting, without ball joint Sheet Steel	3521.E5
3523.75				2418	2418				3523.75
96110483				2419	2419				96110483

